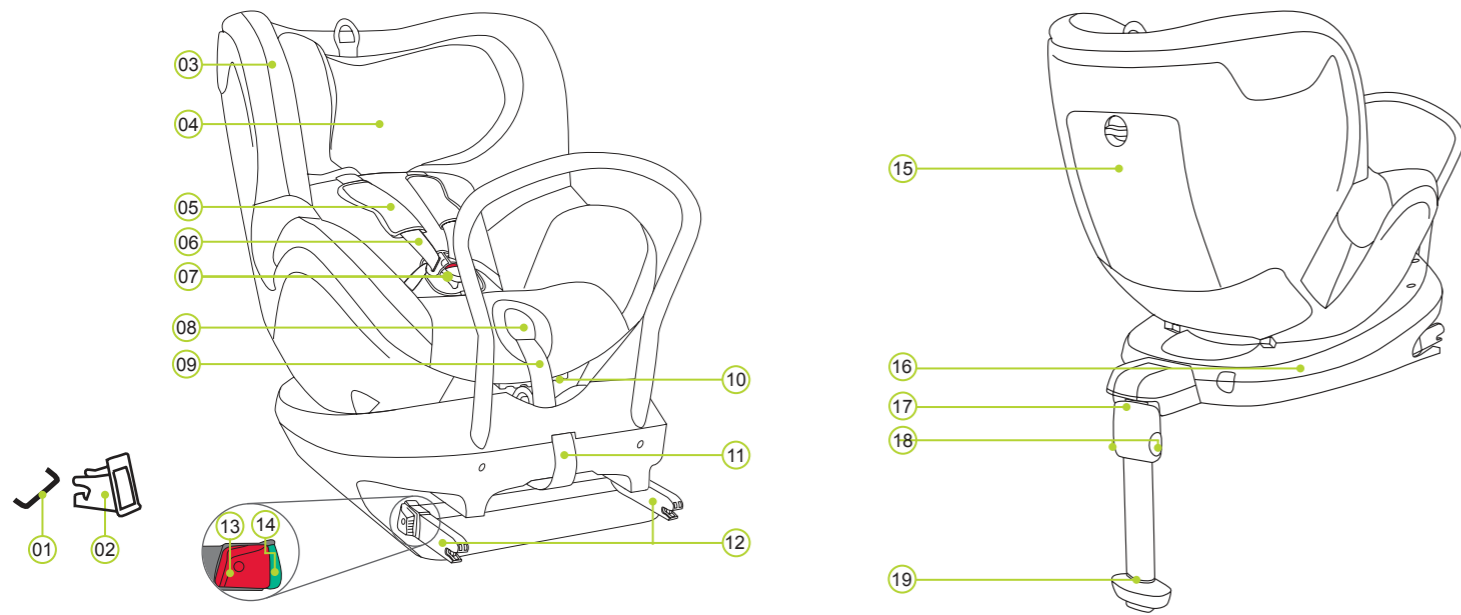


PRODUCT OVERVIEW



- 01 ISOFIX attachment points (car)
- 02 ISOFIX insert guides
- 03 Cover
- 04 Headrest
- 05 Shoulder pads
- 06 Shoulder straps
- 07 Harness buckle
- 08 Adjusting button
- 09 Adjustment strap
- 10 Recline button
- 11 Fabric loop
- 12 Locking arms
- 13 Release button
- 14 ISOFIX indicators
- 15 Storage compartment
- 16 DUALFIX base
- 17 Support leg
- 18 Adjustment buttons
- 19 Support leg indicator

BRITAX RÖMER child safety seat	Tested and certified according to ECE* R 44/04	
	Group	Body weight
DUALFIX	0+ & 1	0 to 18 kg

The child safety seat has been designed, tested and certified according to the requirements of the European Standard for Child Safety Equipment (ECE R 44/04). The test mark E (in a circle) and the certification number are located on the orange certification sticker (sticker on the child safety seat). This certification will be invalidated if you make any modifications to the child safety seat. The DUALFIX child safety seat must only be used to secure your child in the vehicle. It must never be used as a seat or toy in the home. Risk of injury due to unauthorised modifications! Unauthorised technical modifications may reduce or entirely void the seat's protective properties. Do NOT make any technical modifications to the child seat. Use the child seat only as described in the user instructions.

EASY ACCESS FUNCTION

The DUALFIX 360° seat rotation which makes it easier to get your child into or out of the child seat (Easy Access Function).

The DUALFIX has a grey safety button (20) which must be pressed when changing between group 0+ and group 1. The grey safety button (20) prevents that the child seat is used by mistake in the wrong group for your child.

When used in rearward facing mode: Group 0+ (0-13 kg)

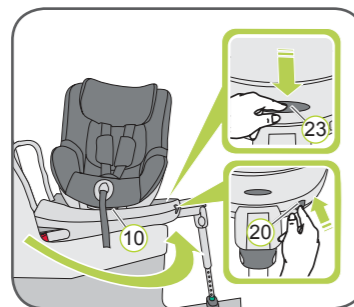
- Grasp the recline button (10) and put the child seat into the most reclined position.
- Press the grey rotation button (23) and turn the seat 90° into the Easy Access mode

CAUTION! Before every journey: make sure that the rotating part of the child seat is fully engaged by making sure the child seat is in a fixed position.

When used in forward facing mode: Group 1 (9-18 kg)

- Grasp the recline button (10) and put the child seat into the most upright position.
- Press the grey rotation button (23) and turn the seat 90° into the Easy Access mode

CAUTION! Before every journey: make sure that the rotating part of the child seat is fully engaged by trying to turn the seat around in both directions.



BRITAX EXCELSIOR LIMITED
1 Churchill Way West
Andover
Hampshire SP10 3UW
United Kingdom
BRITAX RÖMER
Kindersicherheit GmbH
Blaubeurer Straße 71
D-89077 Ulm
Germany

t: +44 (0) 1264 333343
f: +44 (0) 1264 334146
e: helpline@uk.britaxeurope.com
www.britax.eu

t: +49 (0) 731 9345-199/-299
f: +49 (0) 731 9345-210
e: info@de.britaxeurope.com
www.roemer.eu

USE IN THE VEHICLE

Please observe the instructions on the use of child restraint systems described in your vehicle owner's manual.

The seat may be used in all vehicles equipped with the ISOFIX anchoring systems. Please consult your vehicle owner's manual for information the seats which are approved for child safety seats in the weight class 0-18 kg.

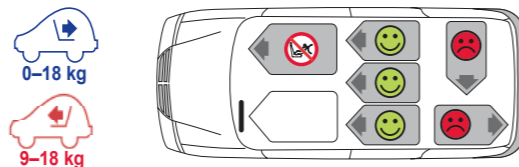
The fastening with ISOFIX and support leg is based on semiuniversal approval. The seat may be used only in those vehicles cited in the enclosed vehicle type list. This type list is constantly updated. The latest version can be obtained from us or from www.britax.eu / www.roemer.eu.

You can use your child car seat as follows:

In the direction of travel	Yes 1)
Against the direction of travel	Yes 1)
With 2 point or 3 point vehicle belt	No
On seats featuring: ISOFIX attachments (between seat surface and backrest)	Yes 2)

(Please observe the applicable regulations in your country)

- In the direction of travel 9-18 kg / Against the direction of travel 0-18 kg
- In the direction of travel 9-18 kg: if there is a front airbag: Slide the passenger seat a long way back and refer to any instructions in vehicle owner's manual. Against the direction of travel 0-18 kg: DO NOT use on a passenger seat with a front airbag!



NEXT CHILD SAFETY SEATS

BRITAX RÖMER Child safety seats		Testing and certification in accordance with ECE R 44/04	
Rearward facing	Forward facing	Group	Body weight
MAX-WAY		1-2	9-25 kg
MULTI-TECH 2		1-2	9-25 kg
	KIDFIX / KIDFIX SICT	2-3	15-36 kg
	KID / KID plus	2-3	15-36 kg

CARE AND MAINTENANCE

Care for the harness buckle

It is vital for the safety of your child that the harness buckle works correctly. Malfunctions of the harness buckle are usually caused by accumulations of dirt or foreign bodies. Malfunctions are as follows:

- The buckle latches are ejected only slowly when the red release button is pressed.
- The buckle latches will no longer lock home (i.e. they are ejected again if you try to push them in).
- The buckle latches engage without an audible „click“.
- The buckle latches are difficult to insert (you feel resistance).
- The buckle only opens if extreme force is applied.

Remedy

Wash out the harness buckle so that it functions properly once again.

Cleaning the cover

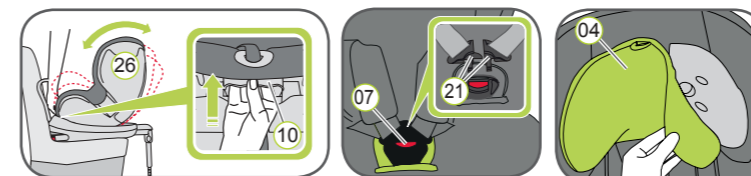
Please be sure to use only genuine BRITAX RÖMER replacement seat covers, as the seat cover is an integral part of the child safety seat which plays an important role in ensuring that the system works properly. Replacement seat covers are available from your retailer.

- The child seat must not be used without its cover.
- The cover can be removed and washed with a mild detergent using the washing machine's cycle for delicate items (30 °C). Please observe the instructions on the washing label of the cover.
- The plastic parts can be cleaned using soapy water. Do not use harsh cleaning agents (such as solvents).
- The harnesses can be washed in lukewarm soapy water.
- The shoulder pads can be washed in lukewarm soapy water.

CAUTION! Never remove the buckle latches (21) from the straps.

CAUTION! The child seat must not be used without the seat cover.

Removing the cover



- Grasp the recline button (10) and move the seat shell (26) downwards into the upright position.

CARE INSTRUCTIONS

CAUTION! To ensure the full protective effect of the child safety seat:

- In the event of an accident with an impact speed above 10 km/h it is possible that the child safety seat may have been damaged, but that the damage may not be immediately obvious. In this case the child safety seat must be replaced. Please dispose of it properly.
- Regularly check all important parts for damage. Make sure that the mechanical components in particular are all in perfect working order.
- To prevent damage, ensure that the child safety seat does not become jammed between hard objects (car door, seat runners etc.).
- Always have the child safety seat checked if it has been damaged (e.g. if it is dropped).
- Never lubricate or oil parts of the child seat.
- In order to properly protect your child, it is imperative that you install and use the DUALFIX exactly as described in this manual.

Please observe the waste disposal regulations in your country.

Disposal of packaging	Container for cardboard
Cover	Residual waste, thermal utilisation
Plastic parts	In accordance with the labelling in the designated container
Metal parts	Container for metals
Harness straps	Container for polyester
Buckle & latch	Residual waste

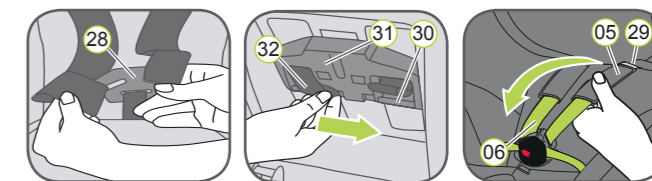
- Loosen the harness straps as far as possible.
- Open the harness buckle (07) (press the red button).
- Slide the headrest (04) to its lowest position.
- Remove the cover of the headrest (04).
- Open the poppers on the left and right of the rear part of the cover.
- Unhook the elastic seam of the cover under the edge of the seat shell. TIP: Start at the handles on the side and at the upper edge of the seat shell.
- Pull the cover up and over the bezel of the strap adjuster.
- Feed out the harness buckle (07) and the end of the strap from the cover.
- Pull the cover upwards a little and then put it with the cutout over the headrest (04).

Refitting the Cover:

Simply follow the steps in the opposite order.

CAUTION! Check that the harness straps are not twisted and that they have been correctly inserted in the belt slots on the cover.

Removing the shoulder pads:



- Loosen the 5-point harness of the child seat as much as possible. Unhook the shoulder straps (06) on the backside of the childseat from the connecting piece (28).
- Pull below both, the shoulder pads (05) and the two shoulder straps (06) to the front through the slots (29). (Frontside of the childseat)
- Slide the belt loops (32) off of the plastic extensions (30) of the shoulder belt height adjuster (31).
- Pull the shoulder pads (05) through the slots (29) to the front.
- Remove the shoulder pads (05) from the shoulder straps (06).

Refitting the shoulder pads:

Simply follow the steps in the opposite order.

CAUTION! Never use the child seat without correct installed shoulder pads.

- 0-18 kg
- 9-18 kg
- * 0~4 y



DUALFIX

User instructions

GB



www.britax.eu

⚠ Take the time to carefully read through these instructions, and always keep them ready to hand in the designated pocket on the child seat.

⚠ For the protection of all vehicle occupants:

In the case of an emergency stop or an accident, persons or objects which are not properly secured in the car can cause injury to other vehicle occupants. For this reason, please always check that...

- the backrests of the vehicle seats are locked (e.g. that the latch on a folding rear seat bench is engaged).
- all heavy or sharp-edged objects in the vehicle (e.g. on the parcel shelf) are secured.
- all persons in the vehicle have their seatbelts fastened.
- the child safety seat is always secured in the car via the ISOFIX anchoring, even when there is no child in the seat.

⚠ For the protection of your child :

- The more snugly the harness fits over your child's body, the safer your child will be.
- Please do not ever leave your child unattended in the child safety seat in the vehicle.

- Use on the rear seat:
Move the front seat forward far enough that your child's feet cannot hit the backrest of the front seat (to prevent risk of injury).
- The child safety seat can get hot in direct sunshine. Caution: Children's skin is delicate and could be injured as a result. Protect the child seat against intensive direct sunlight when it is not currently in use.
- Only allow your child to enter and exit the vehicle on the pavement side.
- Make stops during longer journeys to give your child an opportunity to run about and play.

⚠ To protect your vehicle:

Some vehicle seat coverings made of more delicate materials (e.g. velour, leather, etc.) may develop wear marks when child seats are used. For optimum protection of your seat covers, we recommend using the BRITAX RÖMER Car Seat Protector, which is available from our range of accessories.

INSTALLATION

Preparatory work

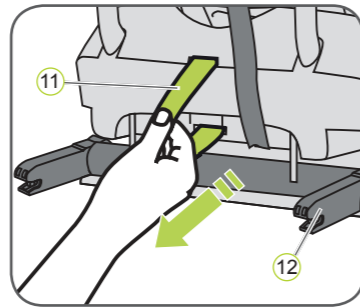


1. If your vehicle is not equipped with the ISOFIX insert guides as standard, clip the two insert guides (02) which are included with the seat* with the cut-out facing upwards onto the two ISOFIX attachment points (01) of your vehicle.

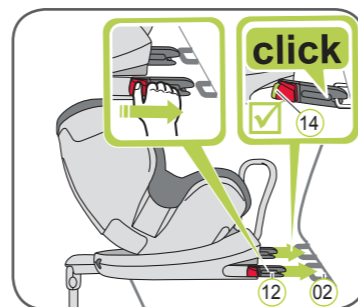
TIP: The ISOFIX attachment points are located between the surface and the backrest of the vehicle seat.

2. Move the head restraint on the vehicle seat to the upper position.

* The insert guides make it easier to install the child safety seat with the aid of the ISOFIX attachment points and prevent damage to the seat covering. When not in use, they should be removed and stored in a safe place. On vehicles with a folding backrest the insert guides must be removed before the backrest is folded. Any problems which occur are usually caused by dirt or foreign objects on the insert guides and on the hooks. Clean off any dirt or foreign objects to remedy this type of problem.

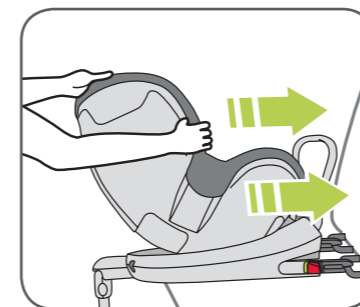


1. Pull the grey fabric loop (11) to pull out both locking arms (12).
2. Place the child seat in the direction of travel rearward-facing on the vehicle seat.

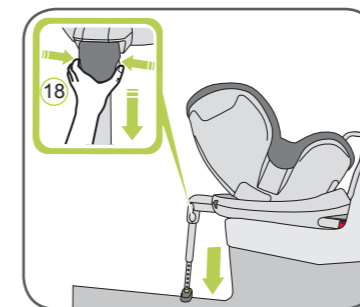


3. Grasp the child seat with both hands and slide the two locking arms (12) firmly into the insert guides (02) until the locking arms engage with a clicking noise on both sides. The green ISOFIX indicators (14) must now be visible on both sides.

⚠ CAUTION! The locking arms are only correctly engaged if both of the ISOFIX indicators (14) are completely green.

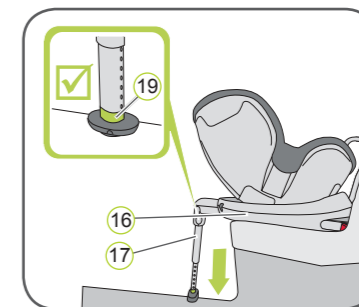


4. Push the child seat with a substantial amount of force as far back as it will go.



5. Pull the support leg (17) as far away from the back of the child seat as possible.

6. Push both adjustment buttons (18) and pull out the support leg (17) until it rests firmly on the floor of the vehicle.



7. The support leg indicator (19) must be completely green.

⚠ CAUTION! The support leg (17) must never be suspended in mid-air or supported by other objects. Also ensure that the support leg (17) does not raise the DUAL-FIX base (16) from the car seat surface.

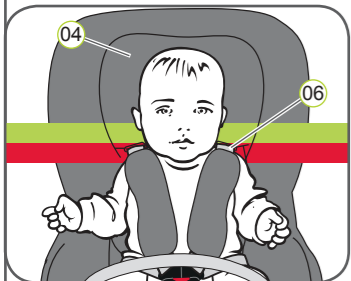


8. Shake the child safety seat to make sure it is safely attached and re-check to the ISOFIX indicators (14) to make sure that both of them are completely green.

→ Your car seat is now fully installed

9. Follow the steps in the section „SECURING YOUR CHILD“.

SECURING YOUR CHILD

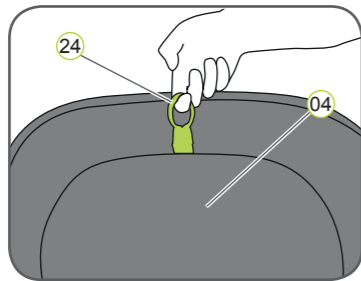


A correctly adjusted headrest (04) ensures optimal protection for your child in the safety seat:

The headrest (04) must be adjusted so that the shoulder straps (06) are at the same level as your child's shoulders or slightly above.

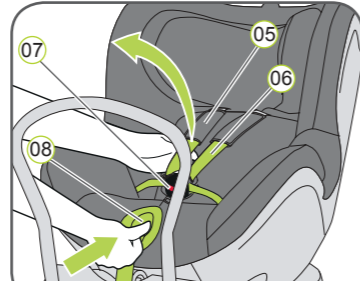
The shoulder straps (06) must run at shoulder height or a little above the height of the child's shoulders.

▶ The shoulder straps (06) must not run behind the back of the child or at ear height or above the ears.



10. Pull the adjusting ring (24) of the headrest (04) upwards.

11. Move the headrest (04) to the correct shoulder strap height and check that it is properly engaged by lightly sliding the head rest (04) downwards.



12. Open the harness buckle (07) (press red button)

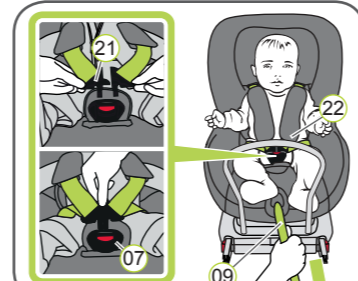
13. Press the adjusting button (08) and at the same time pull both shoulder straps (06) forwards. Do not pull on the shoulder pads (05).

14. Have your child sit down in the child seat.

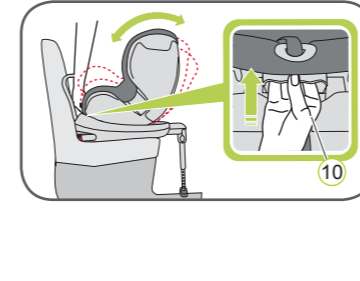
15. Guide the two buckle latches (21) together and engage them before putting them into the harness buckle (07) - this should make a clicking noise.
16. Pull on the adjustment strap (09) until the harness lies flat and is close against your child's body.

⚠ CAUTION! Pull out the adjusting strap to the front.

⚠ CAUTION! The hip straps (22) must be positioned as low as possible over your child's hips.



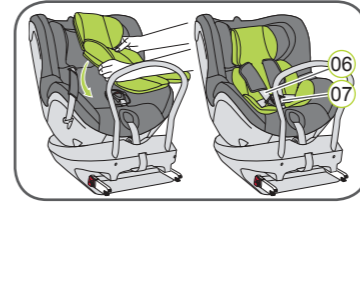
RECLINE POSITIONS



The DUALFIX can be put into multiple different positions. You can change the recline position while the child is installed in the car seat.

The most recline position gives your child the most comfort for sleeping. For younger children from 0-6 months use the seat in its most recline position with the infant insert to ensure your child spine is supported whilst sleeping. To change the positions grasp the recline button (10) and push the seat into the desired position.

INFANT INSERT



The infant insert can be used for children between 0 - 6 months.

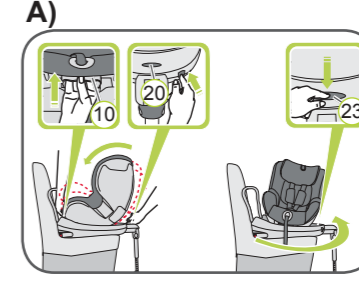
The infant insert ensures your baby's spine is supported during travel.

Installation of the infant insert:

1. Place the infant insert into the child seat and lay both shoulder straps (06) over the infant insert
2. Slide the harness buckle (07) and the crotch pad through the opening of the infant insert.

⚠ CAUTION! Make sure that your child is always securely fastened.

ROTATION FUNCTION + CHANGE GROUPS

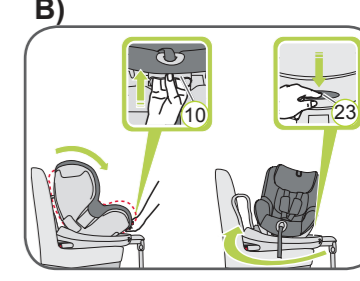


The DUALFIX has a grey safety button (20) which must be pressed when changing between group 0+ and group 1. The grey safety button (20) prevents that the child seat is used by mistake in the wrong group for your child.

A) To change from rearward facing to forward facing:

1. Grasp the recline button (10) and press the child seat whilst pressing the grey safety button (20) into the most upright position.
2. Press the grey rotation button (23) and turn the seat into the direction of travel.

⚠ CAUTION! Before every journey: make sure that the rotating part of the child seat is fully engaged by trying to turn the seat around in both directions. **⚠ CAUTION!** Do not use the child seat forward facing when your child is below 9 kg.



The DUALFIX has a grey safety button (20) which must be pressed when changing between group 0+ and group 1. The grey safety button (20) prevents that the child seat is used by mistake in the wrong group for your child.

B) To change from forward facing to rearward facing:

1. Grasp the recline button (10) and press the child seat into the most upright position
2. Press the grey rotation button (23) and turn the seat against the direction of travel → now the child seat is in the mode for group 1 (9-18 kg) rearward facing

If you want to use the child seat in group 0+ (0-13 kg) rearward facing: Grasp the recline button (10) and press the child seat whilst pressing the grey safety button (20) into the most reclined position **⚠ CAUTION!** Before every journey: make sure that the child seat is in the right group and configuration for your child

⚠ For the safety of your child, before every journey in the car check that...

- the child seat is engaged on both sides with the ISOFIX locking arms (12) in the ISOFIX attachment points (01) and that both ISOFIX indicators (14) are completely green;
- the child seat is securely fastened;
- the support leg is firmly on the vehicle floor and the support leg indicator (19) is green;
- the straps of the child seat are close to the body without constricting the child;
- the shoulder straps (06) are correctly adjusted and the straps are not twisted;
- the shoulder pads (05) are in the right position on your child's body;
- the buckle latches (21) are engaged in the harness buckle (07).

⚠ CAUTION! If your child attempts to open the ISOFIX release buttons (13) or the harness buckle (07), make sure to stop at the earliest opportunity. Check that the child safety seat is correctly attached and make sure that your child is properly secured. Teach your child about the dangers involved.

Removing the child seat with ISOFIX

1. Push both adjustment buttons (18) and slide the lower section of the support leg (17) into the upper section until it is fully stored. Release the adjustment buttons (18) to fix it in its stored position
2. Push the green ISOFIX indicator (14) and the red release button (13) on the two locking arms (12) towards each other. The locking arms (12) release.
3. Slide the ISOFIX locking arms (12) back into the seat shell (26)
→ A rattling noise is produced when the locking arms are pushed back in.

TIP: The locking arms are protected against damage when they are pushed back into the seat base.

⚠ CAUTION! Remove the child safety seat from the vehicle. The child safety seat must never be transported in the car if it is not properly secured.